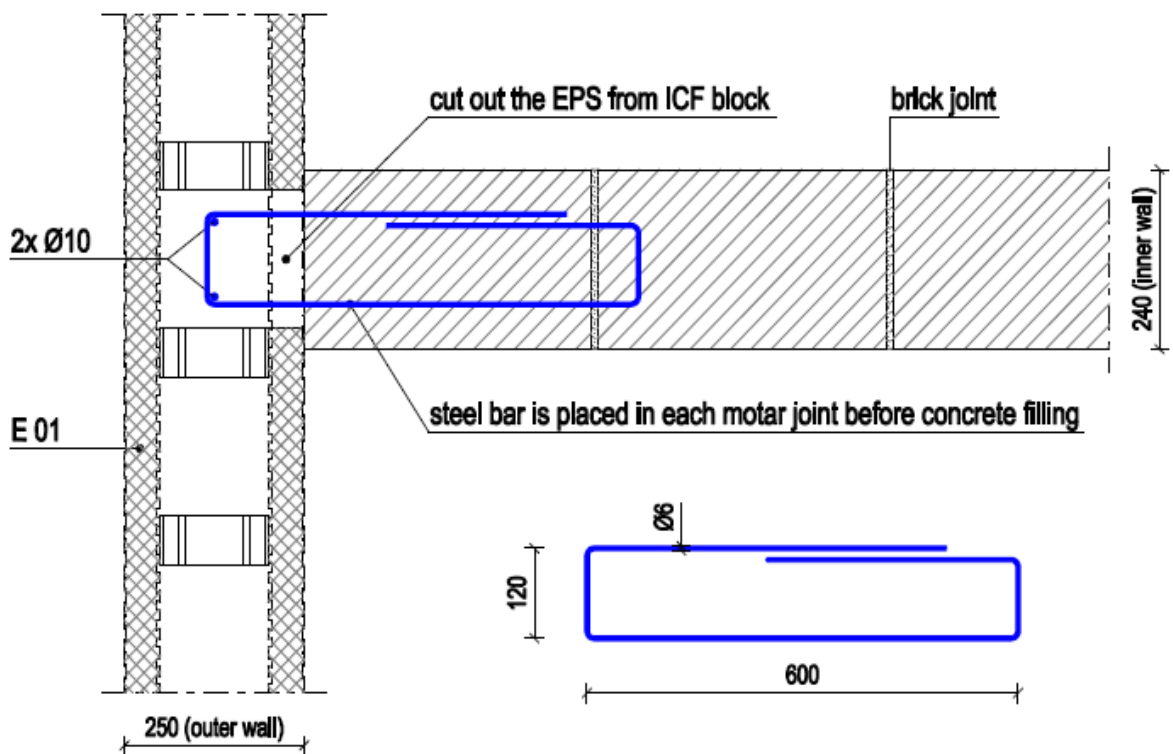


Corner joint of outer walls



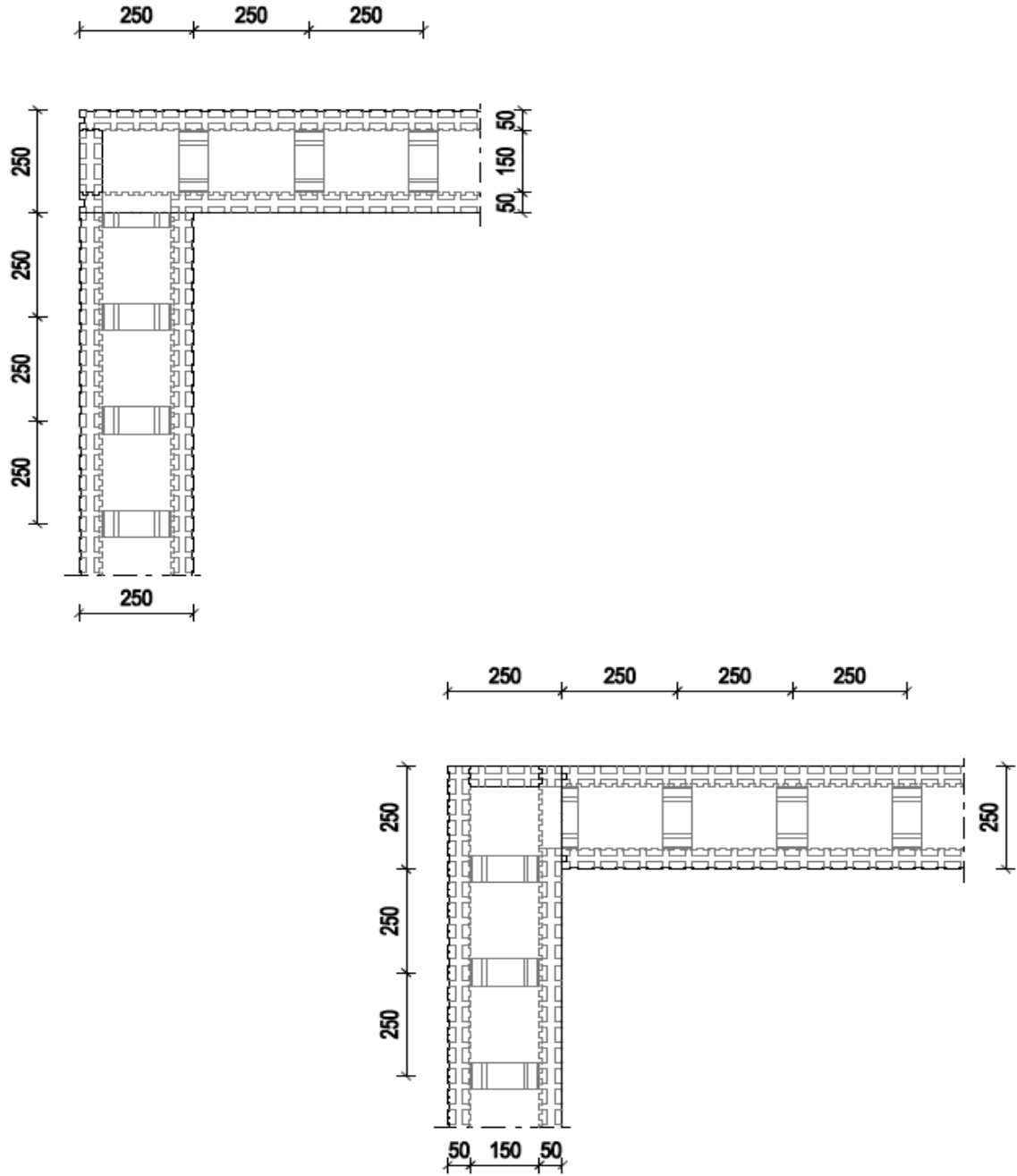
Joint of outer wall with normal bricks (inner wall)

All dimensions are given in mm

**VARIANT-HAUS®**

Joint of outer wall (informative application details)

**Annex 2.1**  
of European Technical Assessment  
ETA 16/0325



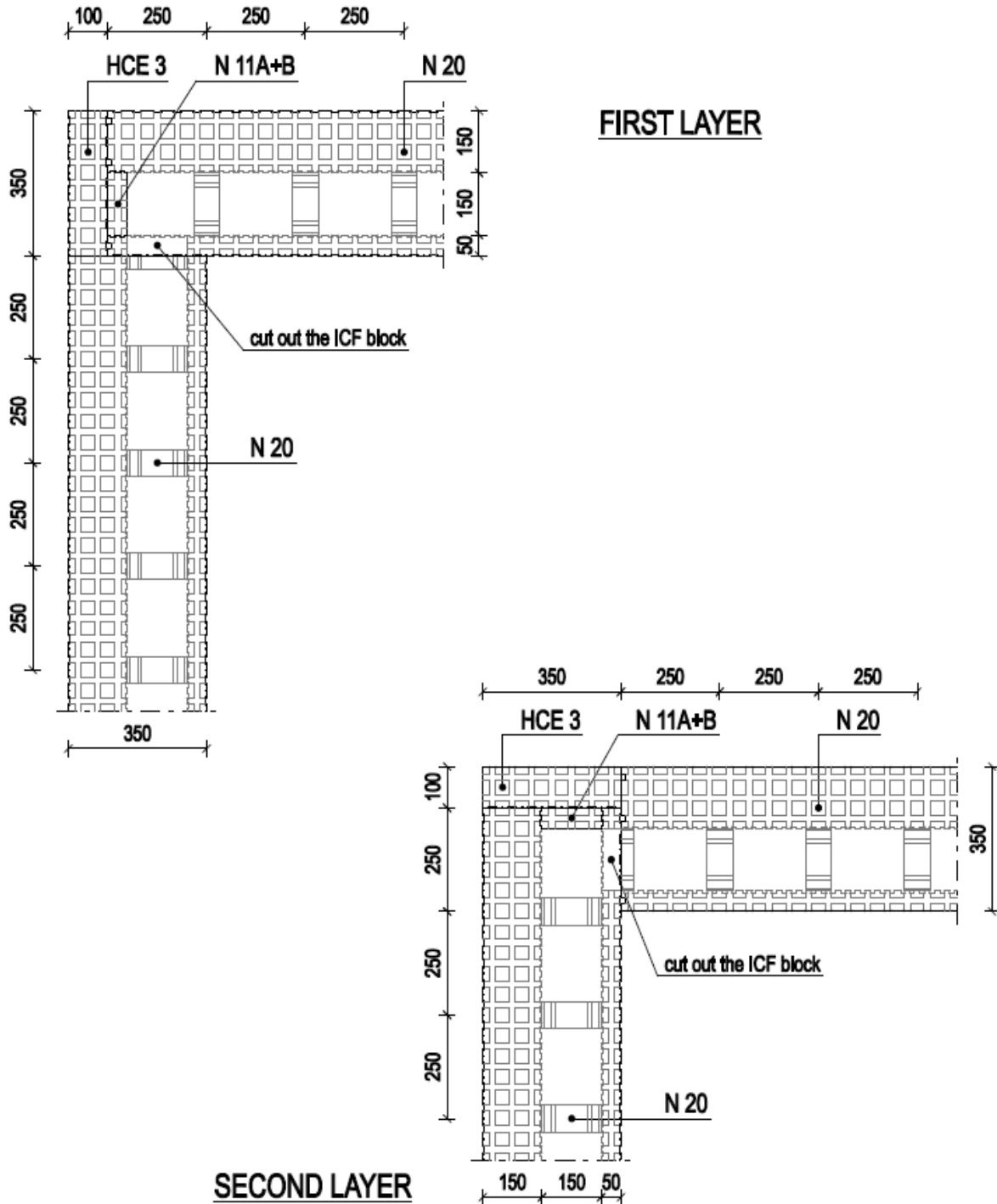
Detail 25 cm block E 01

All dimensions are given in mm

**VARIANT-HAUS®**

Corner (informative application details)

**Annex 2.2**  
of European Technical Assessment  
ETA 16/0325



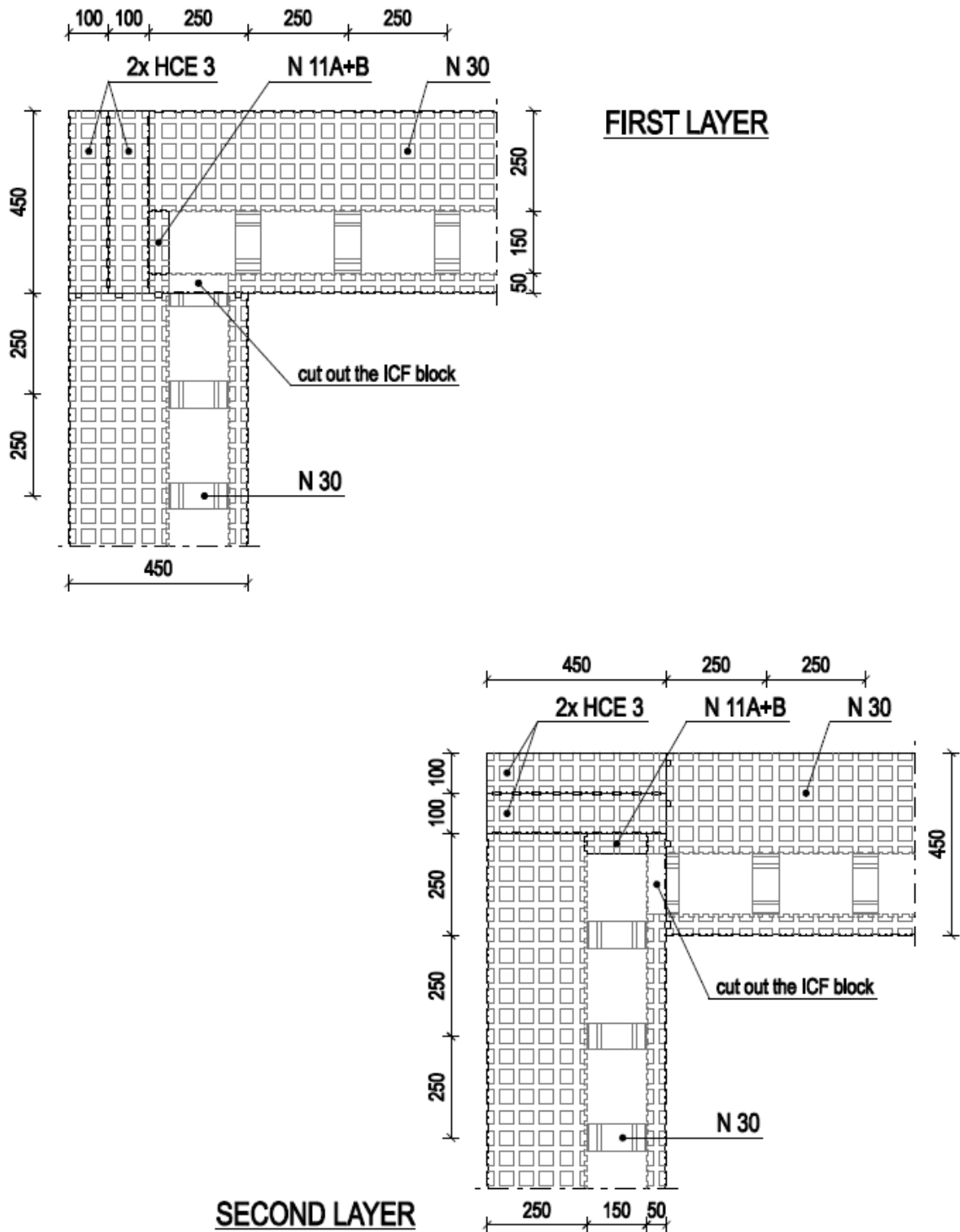
Detail 35 cm block N 20

All dimensions are given in mm

**VARIANT-HAUS®**

Corner (informative application details)

**Annex 2.3**  
of European Technical Assessment  
ETA 16/0325



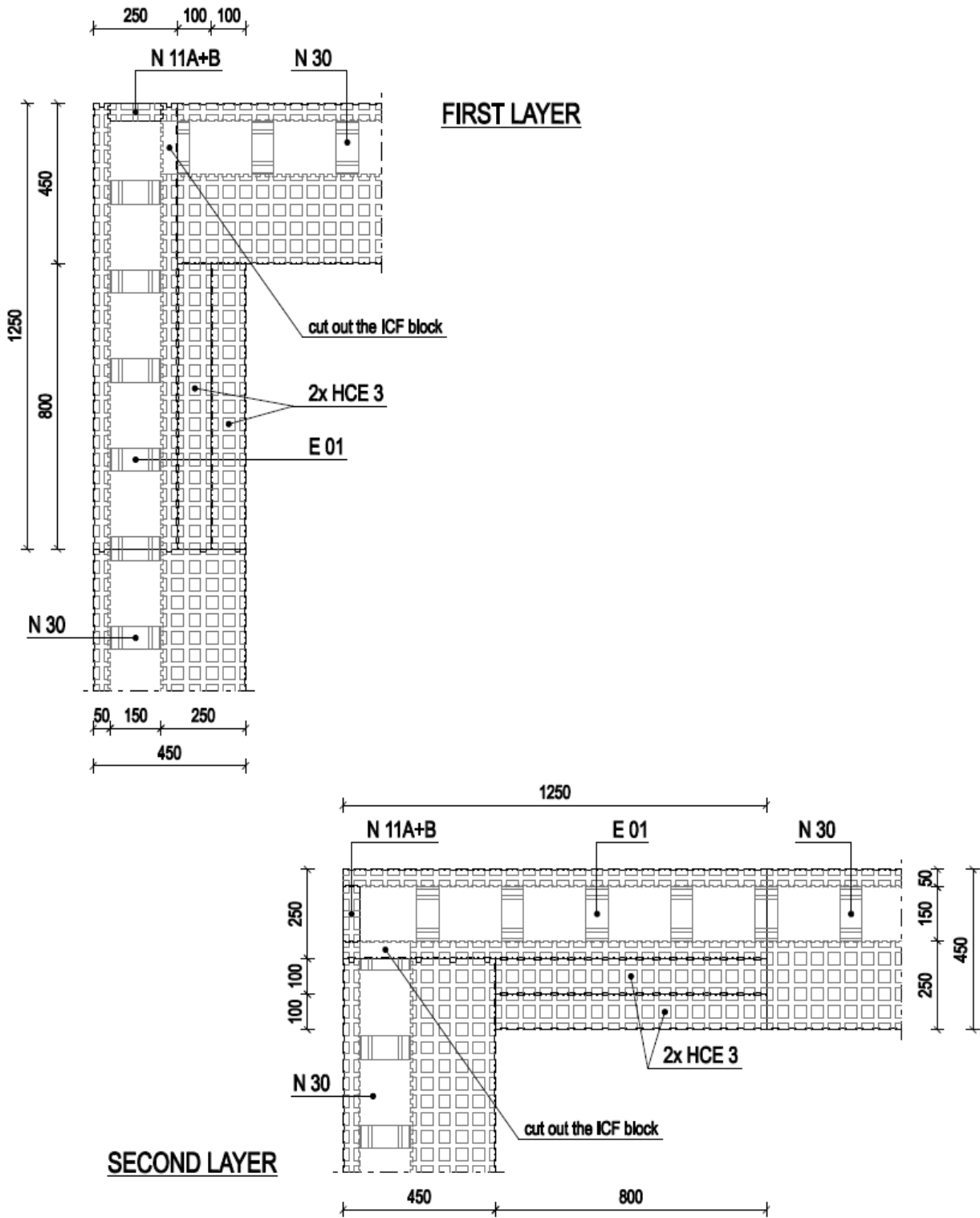
Detail 45 cm block N 30

All dimensions are given in mm

**VARIANT-HAUS®**

Corner (informative application details)

**Annex 2.4**  
of European Technical Assessment  
ETA 16/0325

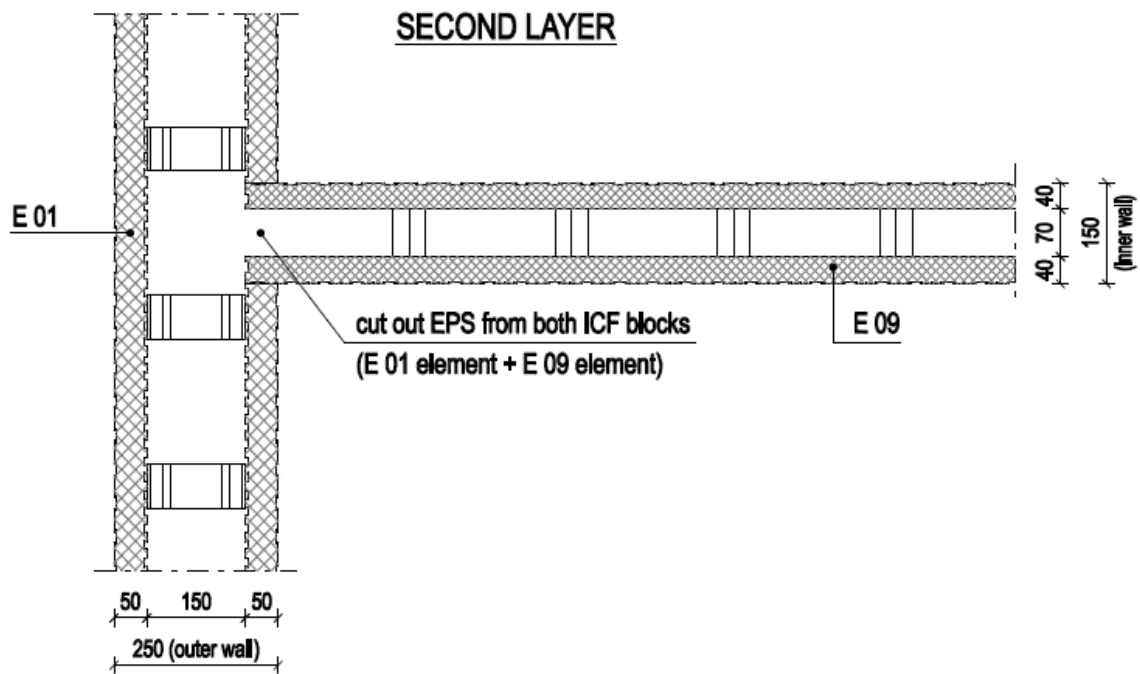
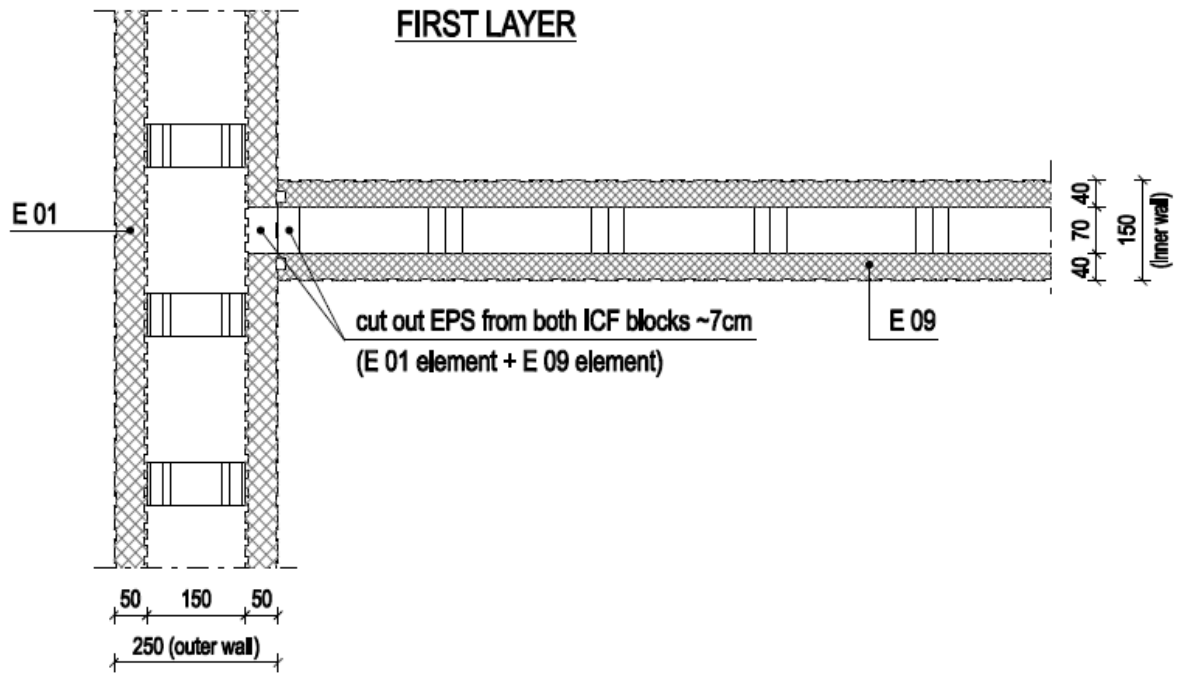


All dimensions are given in mm

**VARIANT-HAUS®**

Corner (informative application details)

**Annex 2.5**  
of European Technical Assessment  
ETA 16/0325



25 cm bearing wall (E 01) with 15 cm non-load bearing wall (E 09)

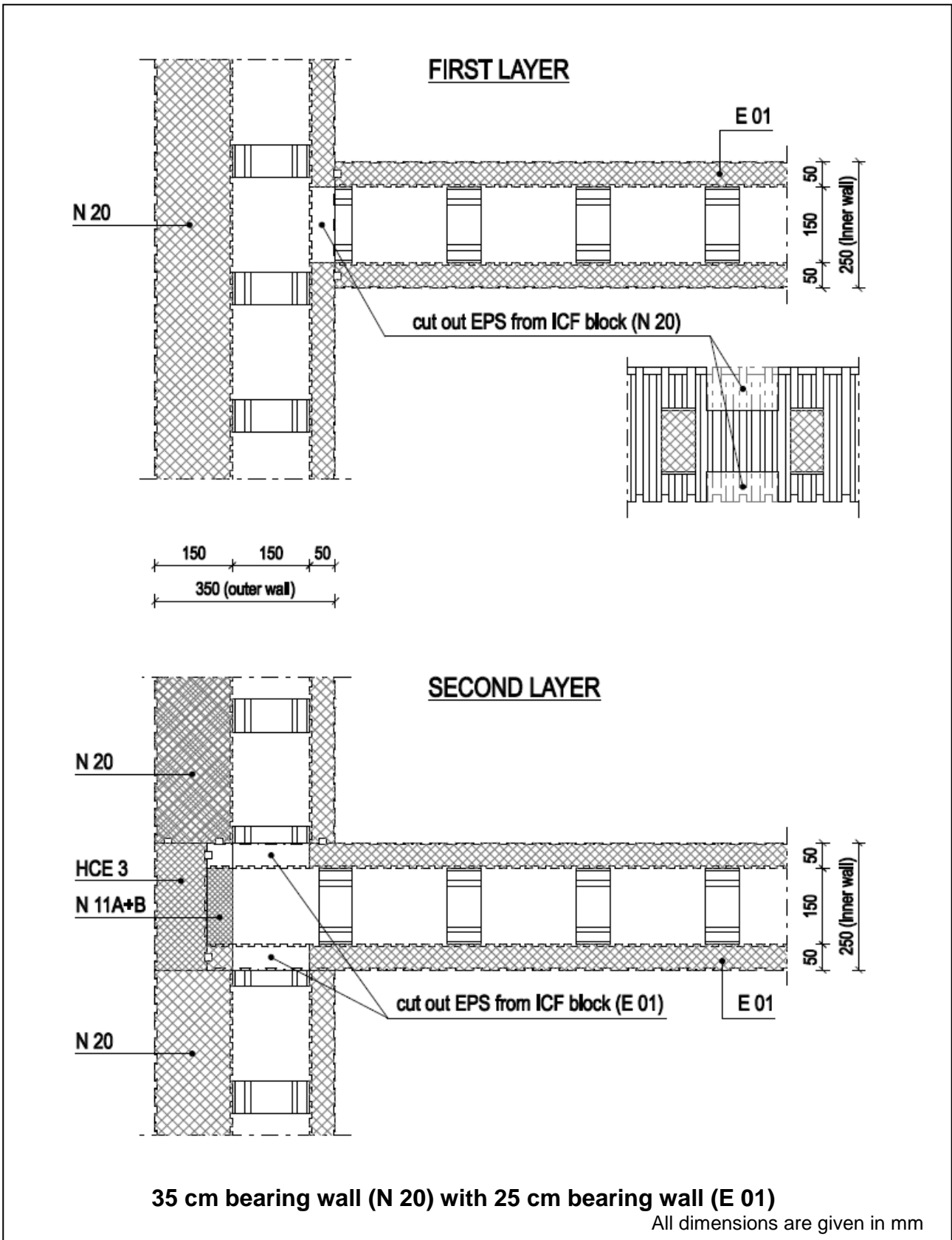
All dimensions are given in mm

**VARIANT-HAUS®**

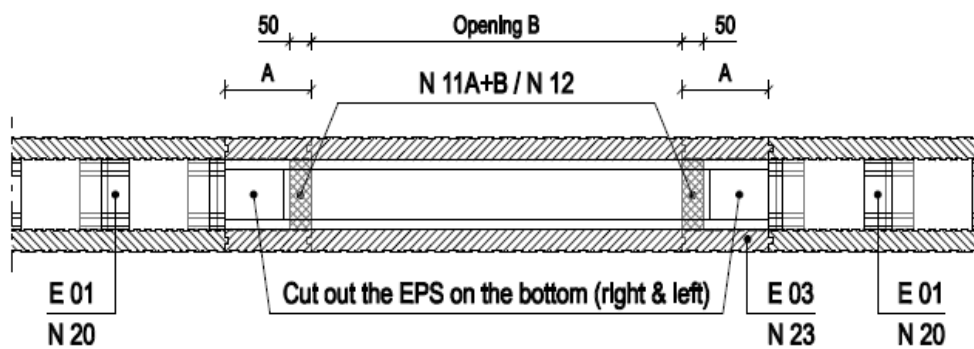
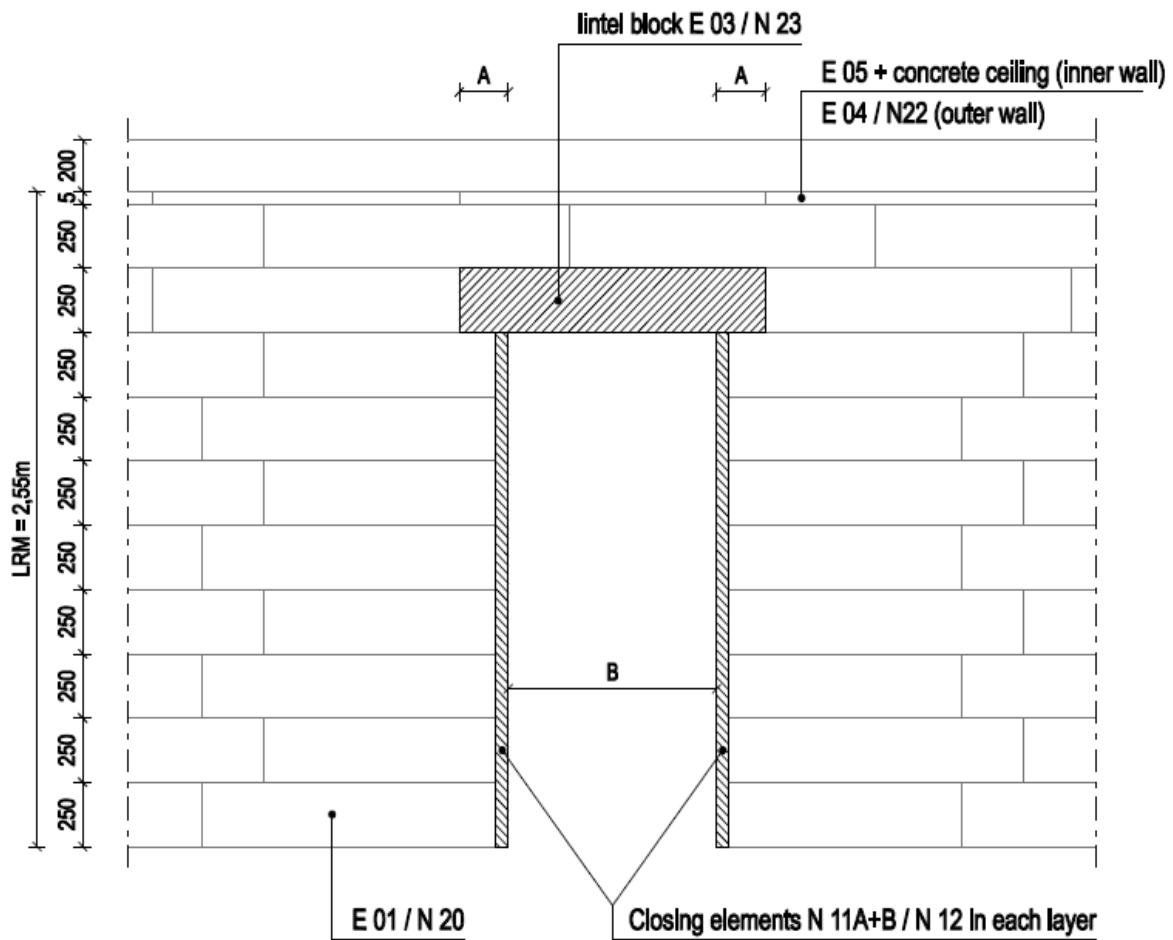
Joint of inner wall (informative application details)

**Annex 2.6**

of European Technical Assessment  
ETA 16/0325



<b>VARIANT-HAUS®</b>	<b>Annex 2.7</b>
Joint of inner wall (informative application details)	of European Technical Assessment ETA 16/0325



Door openings with element E 03

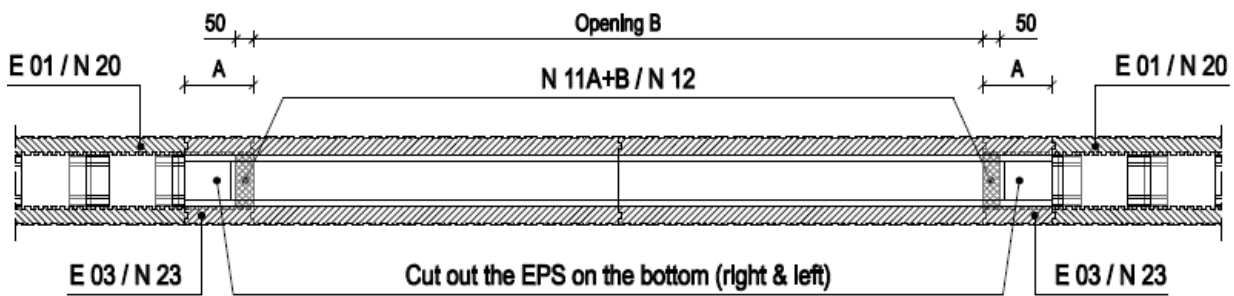
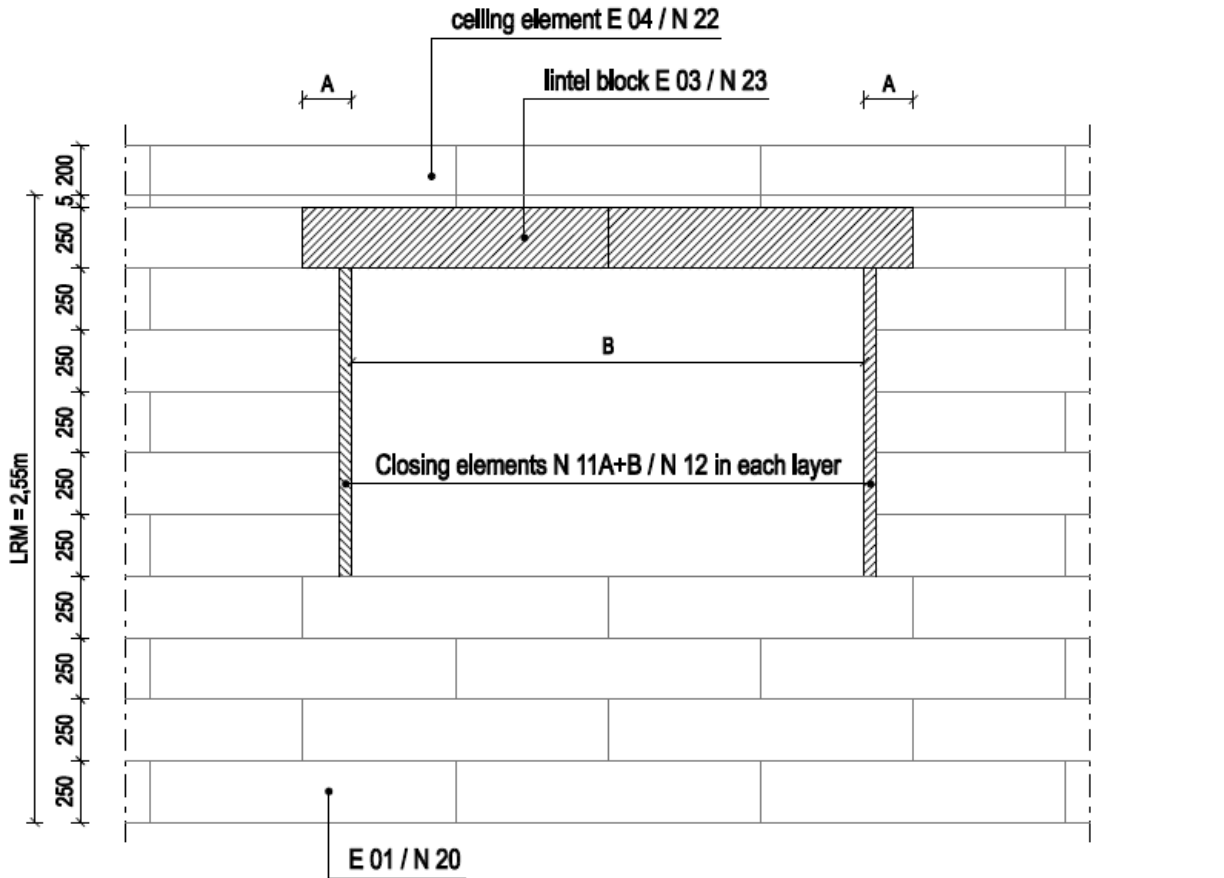
All dimensions are given in mm

**VARIANT-HAUS®**

Door opening (informative application details)

**Annex 2.8**  
of European Technical Assessment  
ETA 16/0325





- before concrete filling you must bearing all lintel elements
- reinforcement (steelbars or steel beams) must be in accordance with static engineer

All dimensions are given in mm

**VARIANT-HAUS®**

Window opening (informative application details)

**Annex 2.9**  
of European Technical Assessment  
ETA 16/0325